

V-Cone Blender

Models

Laboratory to production scale: standard and custom sizes available from 0.5 to 5,000 litres capacity.



Applications

This Good Manufacturing Practice (GMP) compliant, traditional, rotary, tumble-action unit with its classic 'V' or 'Y' shape is ideally suited for mixing and blending in the chemical, food, dairy, pharmaceutical, pesticides, dyestuffs and biotechnology industries.

Features and benefits

- V shape ensures good rolling and cross mixing of product giving shorter mixing times
- Cylindrical V-shaped curves allow easy access to internal areas for easier cleaning
- Main drive provided with variable frequency drive to control blender rotational speed
- Smart-stop arrangement to ensure that the blender always stops in an upright position
- Internal baffles ensure good blending and de-agglomeration
- Guard rails are provided with limit switch for safety
- Various materials of construction to comply with specific industry requirements

Options

Intensifier bars can be fitted to achieve extra shear if required.

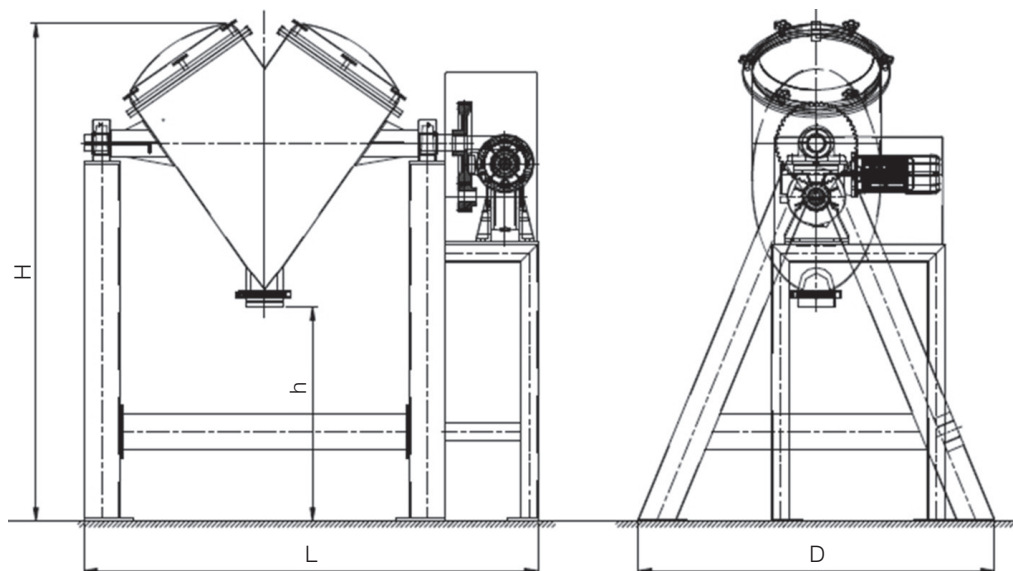
Conical adaptors can be fitted with butterfly valves for clamping to an Intermediate Bulk Container (IBC) to suit dust-free environments and to facilitate loading and discharge.

V-Cone Blender equipment range technical data

*We can provide other standard and custom sizes in excess of 5,000 litres to suit a customer's requirements. Data is provided for a small range of blender sizes to give an indication of the technical specifications.

The maximum working volume is approximately 60% of the blender's gross capacity.

	GROSS CAPACITY (LITRES)*	MOTOR (KW)	BLENDER (RPM)	MACHINE SIZE (MM)			
				LENGTH (L)	DEPTH (D)	HEIGHT (H)	DISCHARGE HEIGHT (h)
SINGLE SUPPORT	5	0.5	48	960	715	1,275	450
	10	0.5	48	960	715	1,275	450
	50	1.5	30	1,600	1,240	1,800	600
	100	2.0	30	1,600	1,240	1,800	600
DOUBLE SUPPORT	150	2.5	26	1,750	1,300	1,800	750
	300	2.5	20	2,200	1,550	2,100	750
	500	3.0	20	2,450	1,800	2,300	750
	800	5.0	10	2,680	2,150	2,510	750
	1,000	10.0	10	2,760	2,300	2,710	750



Note: All data provided is for guidance only and may be varied at any time by the company.

British Rema Process Equipment Ltd
Image Works, Foxwood Close
Chesterfield, Derbyshire S41 9RB
United Kingdom

+44 (0)1246 269 955
equipmentknowhow@britishrema.com
britishrema.com

Registered in England No. 05556424 | VAT No. 872 0080 45