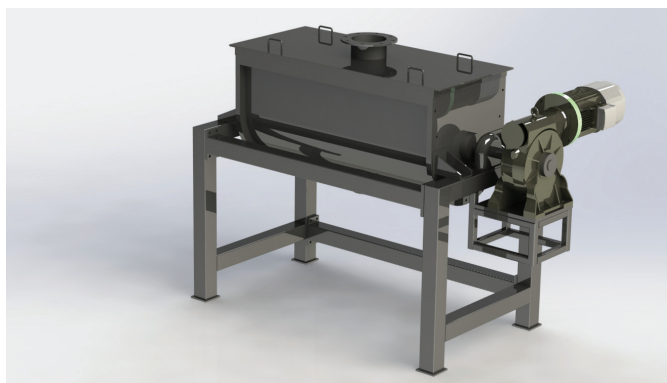


Ribbon Blender

Models

Laboratory to production scale: standard and custom sizes available from 30 litres to in excess of 7,500 litres capacity.



Applications

The Ribbon Blender can be used in either batch or continuous flow form to achieve a homogenous blend of a wide range of materials. It is a widely used style of blender and can be found in the chemicals pharmaceuticals, food, animal feeds, confectionery, fertilisers, plastics, cosmetics, pigments and insecticides industries. Ribbon blenders are suitable for the distribution of liquids, fragrances and slightly pasty components in micro dosages onto carriers.

Each unit consists of a horizontally-mounted, 'U'-shaped trough containing a double helix blender bar and a longitudinal shaft of twin-bladed construction. Material is introduced and mixed by means of an agitator. The resultant mixing is gentle but with good shear and impaction.

Features and benefits

- Consistent, high shear mixing
- Choice of materials of construction
- Versatility of use on a wide range of materials
- Triple mixing action
- Adaptable for clean-in-place

Options

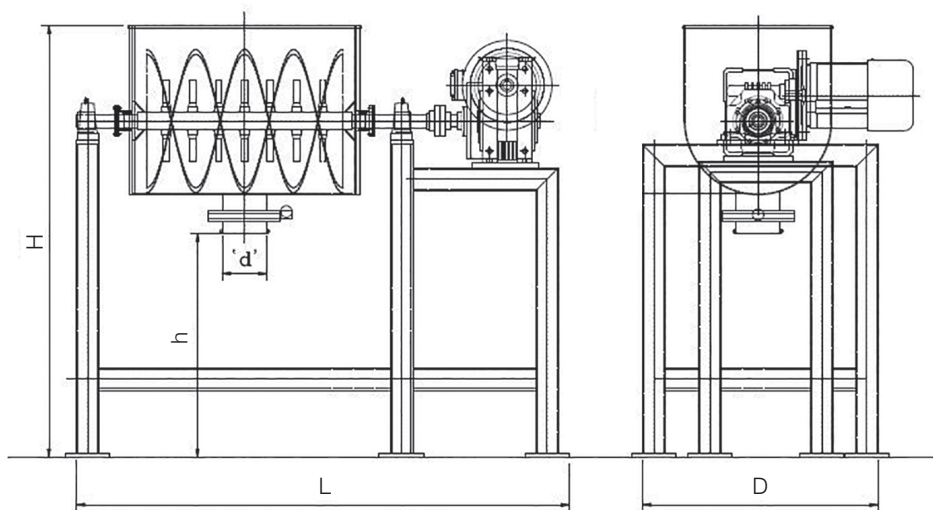
- Design with central or end discharge
- Various sealing options are available

Ribbon Blender equipment range technical data

*We can provide other standard and custom sizes in excess of 7,500 litres to suit a customer's requirements. Data is provided for a small range of blender sizes to give an indication of the technical specifications.

The maximum working volume is approximately 70% of the blender's gross capacity.

GROSS CAPACITY (LITRES)*	BLADE (RPM)	MOTOR (KW)	MACHINE SIZE (MM)			
			LENGTH (L)	DEPTH (D)	HEIGHT (H)	DISCHARGE HEIGHT (h)
30	115	0.5625	875	450	850	350
60	90	0.75	1,000	525	1,000	450
125	74	1.125	1,150	600	1,300	600
375	60	2.25	2,000	725	1,575	750
600	47	3.75	2,300	825	1,675	750
1,150	41	5.625	2,830	1,350	1,825	750
2,050	36	7.5	3,675	1,275	1,975	750
2,500	30	11.25	4,000	1,325	2,250	1,000
4,450	24	18.75	4,725	1,575	2,550	1,000
5,500	22	22.5	4,775	1,700	2,675	1,000



Note: All data provided is for guidance only and may be varied at any time by the company.

British Rema Process Equipment Ltd
Image Works, Foxwood Close
Chesterfield, Derbyshire S41 9RB
United Kingdom

+44 (0)1246 269 955
equipmentknowhow@britishrema.com
britishrema.com

Registered in England No. 05556424 | VAT No. 872 0080 45