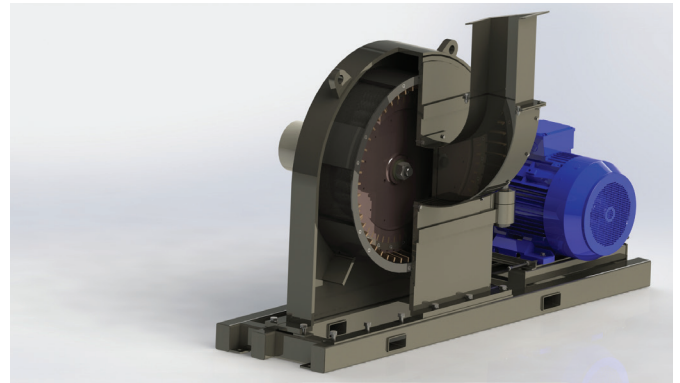
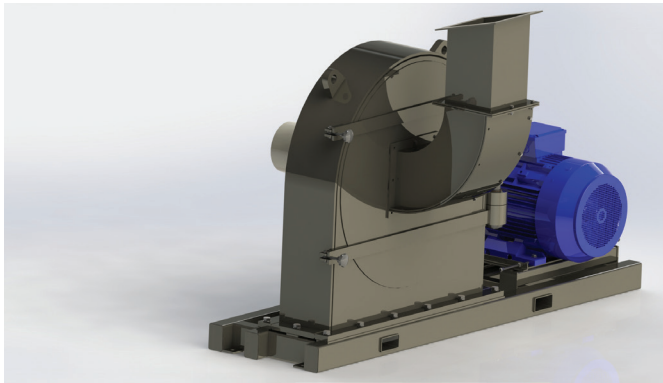


Impact Mill

Models

A range of sizes designed for throughputs of between 1kg and 10 tonnes per hour.



Applications

Generally used for less abrasive applications and capable of energy-efficient operation, the Impact Mill is an easy to use, versatile, high-speed impact grinder, suitable for a wide range of materials.

This energy-efficient mill can be equipped with a variety of internal stator and rotor configurations, enabling the unit to meet a wide range of differing applications including pre-grinding, medium and fine grinding, de-agglomeration and dispersion.

The Impact Mill range of equipment is suitable for finished product of 500 microns and below, and is widely used for reducing particle size in the chemicals, food, metal powders, minerals and plastics industries.

Features and benefits

- Suitable for milling finished product of 500 microns and below
- Energy efficient operation
- Interchangeable grinding elements and sieve-rings to suit a wide range of applications
- Symmetrical and reversible rotor design to maximise life
- Easy to changeover grinding stator and rotor
- Individually replaceable grinding blades
- Rapid and simple access for ease of cleaning and maintenance
- Stator assembly easily removed for clean down and maintenance
- Mild steel or stainless steel construction
- Optional ceramic lining for wear and resistance

Impact Mill equipment range technical data

| MODEL NUMBER | GRINDING ROTOR MOTOR SIZE (RPM) | MAXIMUM AIRFLOW (M ³ /HR) | APPROX. CAPACITY SCALE FACTOR |
|--------------|------------------------------------|---|----------------------------------|
| M20 | 7.5 – 11 | 1,020 | 1.0 |
| M35 | 15 – 22 | 2,040 | 2.5 |
| M50 | 30 – 45 | 3,060 | 5.0 |
| M75 | 45 – 75 | 5,100 | 10.0 |
| M100 | 90 – 150 | 10,200 | 20.0 |

Note: All data provided is for guidance only
and may be varied at any time by the company.

British Rema Process Equipment Ltd
Image Works, Foxwood Close
Chesterfield, Derbyshire S41 9RB
United Kingdom

+44 (0)1246 269 955
equipmentknowhow@britishrema.com
britishrema.com

Registered in England No. 05556424 | VAT No. 872 0080 45